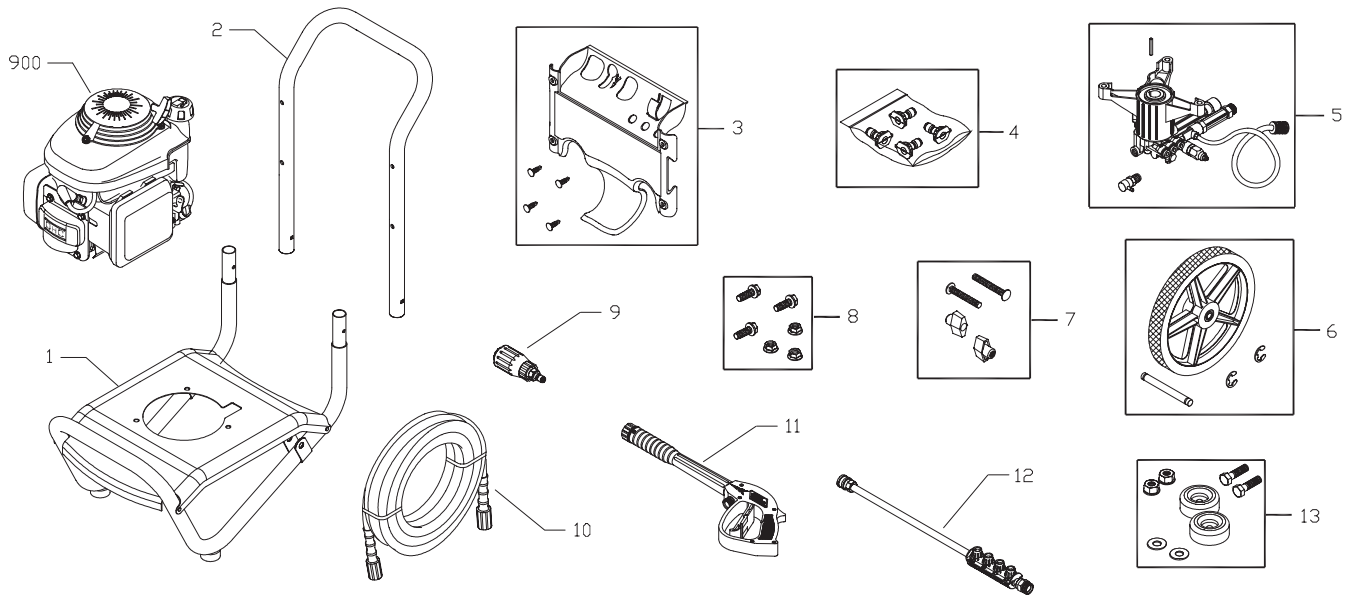


Exploded View and Parts list — Main Unit



| Item | Part # | Description |
|------|------------|------------------------------------|
| 1 | 199643GS | ASSY, Base |
| 2 | B199780GS | HANDLE |
| 3 | 202273GS | KIT, Billboard w/Decal & Clips |
| | 195964GS | Clips |
| 4 | 202091GS | KIT, Nozzles |
| | 198841GS | Nozzle, Soap |
| | 195983AEGS | Nozzle, QC, Red |
| | 195983AFGS | Nozzle, QC, Yellow |
| | 195983AHGS | Nozzle, QC, White |
| 5 | 202274GS | ASSY, Pump |
| | 194298GS | Thermal Relief |
| | 23139GS | Key |
| 6 | 196439GS | KIT, Wheel |
| | 192050GS | E-Ring |
| | 195454GS | Axle |
| 7 | B2203GS | KIT, Fastening Handle |
| 8 | 203080GS | KIT, Pump/Engine Mounting Hardware |
| 9 | 195854GS | NOZZLE, Turbo Head |

| Item | Part # | Description |
|------|----------|----------------------------|
| 10 | 196006GS | HOSE, 25' |
| 11 | 193482GS | GUN |
| 12 | 192198GS | EXTENSION, w/Nozzle Holder |
| 13 | 198766GS | KIT, Vibration Mount |
| 900 | § | ENGINE |

Items Not Illustrated:

| | |
|-----------|----------------------|
| 203782GS | MANUAL, Operator's |
| BB3061BGS | OIL BOTTLE |
| 87815GS | GOGGLES |
| 194524GS | DECAL, Honda Choke |
| 194256GS | KIT, Tag/Warning Srv |

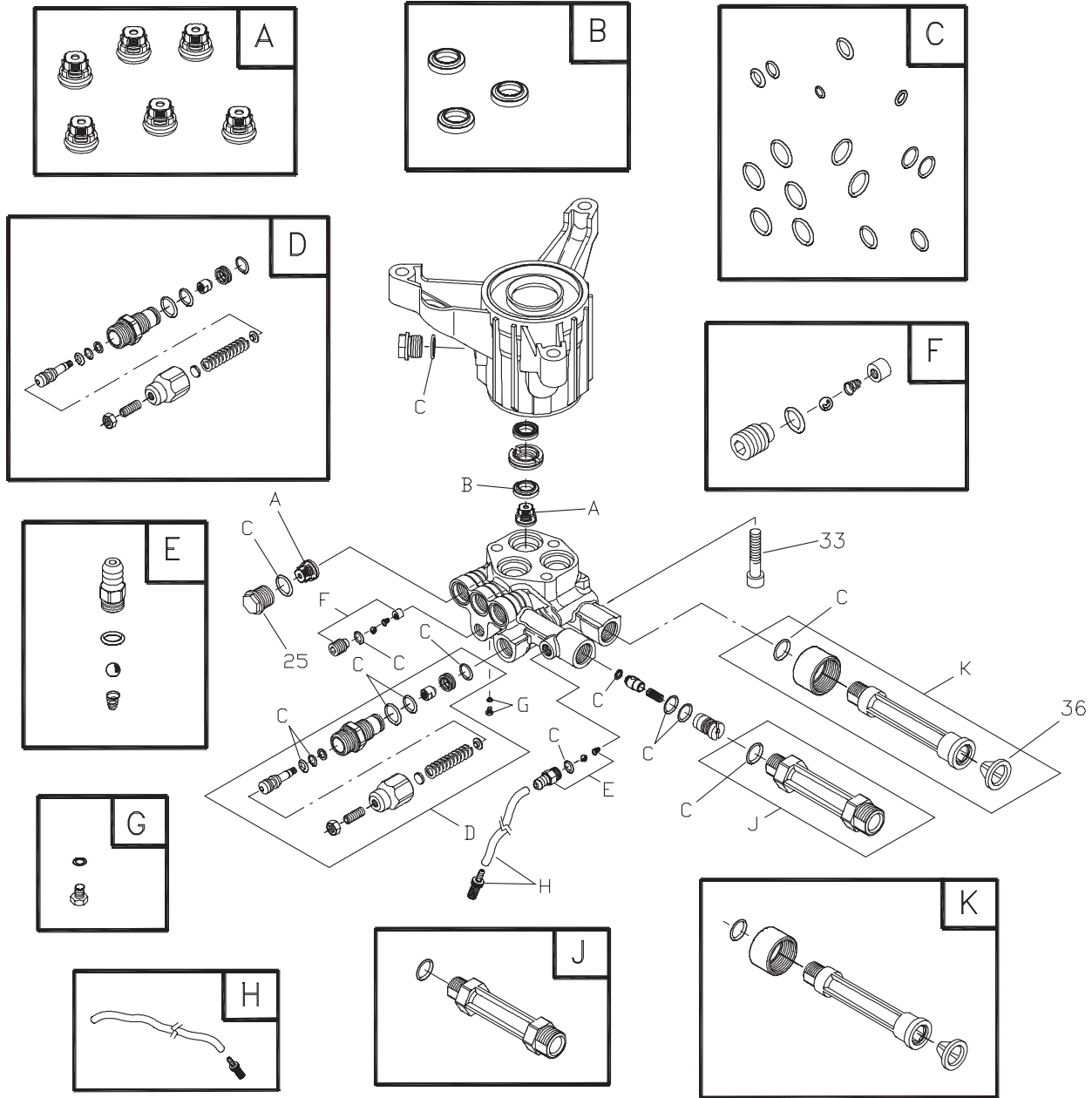
Optional Accessories

| | |
|------|-------------|
| 6048 | KIT, O-Ring |
| 6039 | PUMP SAVER |

§ - Contact Engine Manufacturer

Copyright © 2007 Briggs & Stratton Power Products Group, LLC. All rights reserved. No part of this material may be reproduced or transmitted in any form by any means without the express written permission of Briggs & Stratton Power Products Group, LLC.

Exploded View and Parts List — Pump



| Item | Part # | Description |
|------|----------|--------------------------|
| 25 | 201495GS | PLUG |
| 33 | 200275GS | SCREW |
| 36 | B2384GS | FILTER, Inlet |
| A | 200344GS | KIT, VALVES |
| B | 200345GS | KIT, WATER SEALS |
| C | 200346GS | KIT, O-RINGS |
| D | 200348GS | KIT, UNLOADER |
| E | 192914GS | KIT, HOSE TAIL |
| F | 200349GS | KIT, EZ START |
| G | 200350GS | KIT, GRUB SCREW & WASHER |
| H | 189971GS | KIT, CHEMICAL HOSE |

| Item | Part # | Description |
|------|----------|------------------|
| J | 201497GS | KIT, OUTLET |
| K | 201496GS | KIT, WATER INLET |

Parts Not Illustrated

| | |
|----------|----------------|
| 194298GS | THERMAL RELIEF |
|----------|----------------|

Optional Accessories

| | |
|------|------------------|
| 6039 | PUMP SAVER |
| 6033 | OIL BOTTLE, Pump |

NOTE: Item letters A - K are service kits and include all parts shown within the box.